

birkdale 

Sectional
Garage
Doors



A garage door with a personal signature

Beautiful homes often miss the finishing touch of an attractive, eye-catching garage door that is in complete harmony with your home. Practicality, reliability and durability cannot be overlooked though. Being secure, easy to operate and safe to use, a great garage door will add value to your property.

Every garage door that leaves our factory is built to order, tailor-made to your requirements.

Indeed, Birkdale offer you the choice of an extensive range of doors manufactured from quality materials. Available in a variety of styles, surface textures and designs you can combine each element to your heart's content. Choose the colour of your garage door from an extensive list, thus neatly matching with the external appearance of your home.

Furthermore, thanks to the door's construction, you can use the volumetric space in your garage to its absolute optimum.

Birkdale's garage doors meet the most stringent

European guidelines in the key areas of safety and durability and are able to withstand extremes in changeable weather conditions where temperatures can dramatically differ. Come rain or shine our doors will maintain their great looks. Installations in diverse climates such as Norway and Spain only serve to reiterate our point.

For decades, Birkdale's doors have proved extremely reliable, retaining continued, consistent and assured operational access.

Using this brochure enables you to work with us in determining the specifications of your door. Birkdale will be delighted to make an affordable and bespoke garage door that completely satisfies your individual needs.

Contents

A garage door with a personal signature	2
10 Year Royal Guarantee	3
Safety above everything	4
High-Line, elegant class	6
Wood-Line, from the best 'wood'	10
Design-Line, architectural statement	12
Top-Line, ultimate creative freedom	14
Options and accessories	16
Guide rail systems, the silent strength	17
Technical data	19

10 Year Guarantee

It's extremely important that a great looking garage door also meets your expectations of longevity, durability and safety. Applying to construction, materials used and all of the parts – Birkdale guarantee the highest quality.

Only high-quality and durable materials are used in the fabrication of our garage doors. They are inspected and certified by the foundation for facade element quality - SKG. Of course, our doors also conform to the European EN 13241-1 standard, which is obligatory for CE marking.

Therefore, we give a full 10 year manufacturer's guarantee on the entire door. This includes the parts that can wear, such as torsion springs, lifting cables, hinges and rollers. The clear conditions that apply to this guarantee are available on request.

We manufacture every garage door professionally and to specification and it is thoroughly checked before delivery.

ROYAL GUARANTEE

Only the king of doors has a Royal Guarantee





NEW DESIGN - ANTRA

Safety First

Feeling safe in and around your home is important. Therefore, safety is the prime consideration for the construction and operation of our garage doors.

Your garage door must operate reliably for years and be safe and easy to use. Furthermore our sectional garage doors are self-locking.

Finger protection

All doors in our product range have finger guards as standard.

These guards are a statutory requirement that prevent fingers from being pinched between the panels when opening and closing the door.



Burglary protection

Unfortunately, burglary is a common occurrence. Therefore, it's important that your garage door is secure.

The locks on our garage doors are inspected and certified by the foundation for facade element quality - SKG.

The SKG quality mark is an important security aspect.

Spring-break safety device

Our doors are fitted as standard with a statutory spring-break safety device. This ensures that in unforeseen situations the door cannot suddenly close, which could cause damage or a safety hazard.

Anti-lift device

If your garage door is operated by an electric operator, it is automatically protected by an anti-lift device. The operator protects your door from being lifted by generating resistance when someone tries to open the door by hand.

Safety-edge

Our electrically operated garage doors are equipped as standard with a "force limiter". This ensures that in the event of slight resistance from, for instance, your child or car, the door automatically opens.



NEW DESIGN UMBRA 9006



HIGH-LINE STUCCO (HLS)

High-Line. Elegant Class

For many people, the High-Line garage door provides the perfect combination of durability, functionality and class.

It is not without reason that the doors from the High-Line series are the most commonly sold doors in our product range. The series offers a wide range of surface structures and profiles, from modern to classical. Your door is made to measure and supplied in the colour you desire.





HIGH-LINE PLANK WOODGRAIN (HLP-W)

High-Line

For many people, the High-Line garage door provides the perfect combination of durability, functionality and class.

It is not without reason that the doors from the High-Line series are the most commonly sold doors in our product range. The series offers a wide range of surface structures and profiles, from modern to classical. Your door is made to measure and supplied in the colour you desire.

High-Line (HL)	Woodgrain (W)	Stucco (S)	Smooth (V)
	HLG/W	HLG/S	HLV
	HLP/W		HLP/V
	HLW	HLS	
	HLC		

It is possible to create your own personal High Line garage door, with the different panels available from the High-Line panel range. Each panel has a unique character, structure and surface texture. In the standard version the door is delivered with a durable white topcoat. Of course, your door can also be delivered in practically any other colour, so that it is in complete harmony with the other doors and windows in your home.

High-Line panel range (HL)

Here you can see the different types of panel which are available in the High-Line panel range. The range consists of four types of panel, combined with three panel surface textures.

Seals		
	Air (EN 12426) W	Water (12425)
High-Line Series	Class 3	Class 3
HL with Windows	Class 2	Class 2
Wind load (tested in accordance with EN 12424)		
	Up to 2500mm W	Up to 5000mm W
	Class 5	Class 4
HL Cassette	Class 5	Class 3
HL with Windows	Class 5	Class 3
Heat insulation (according to EN 12428)		
High-Line Series	U= 0,6 W/ (m ² K)	





WOOD-LINE STANDARD (WLS)

Wood-Line, from the best 'wood'

Would you prefer a garage door with an authentic warm wood look? Perhaps you also want a door with the life and easy maintenance of a steel garage door?

The Wood-Line series offers you a wide range of options. From completely classical with cassettes to exclusive and modern. You can hardly tell the Wood-Line panels from panels made of real wood and they give your home a refined, characterful appearance. However, they are as 'hard' as steel.

High-Line panel range (HL)

The basis of the Wood-Line garage door, just like the High-Line, is formed by 40mm steel sandwich panels with an insulating, fire-retardant foam core (CFC free). The panels have various wood surface textures and tactile embossment. This gives the door the warm feeling and exclusive appearance of real wood. The extra-thick steel skin guarantees a long life. Moreover, the panels, unlike real wood, are more or less maintenance free.

Select your wood look from the options palette here. Timeless and smooth or classical and rustic. The choice is yours. We will manufacture your door to the size and style you desire.

Wood Line (WL)			
	WLV		WLS WLS-D
	WLP		WLC

Seals		
	Air (EN 12426) W	Water (12425)
High-Line Series	Class 3	Class 3
HL with Windows	Class 2	Class 2
Wind load (tested in accordance with EN 12424)		
	Up to 2500mm W	Up to 5000mm W
	Class 5	Class 4
HL Cassette	Class 5	Class 3
HL with Windows	Class 5	Class 3
Heat-insulation (according to EN 12428)		
High-Line Series	U= 0,6 W/ (m ² K)	



WOOD-LINE (WLP)



DESIGN-LINE UMBRA BLACK

Design-Line. Architectural Statement

Are you looking for a garage door with a special appearance? Consider our Design-Line series.

The steel skin of the 40mm thick sandwich panels used in this line is available in various designs: Umbra, Antra and Nature. Each has its own character.

From modern and trendy to natural and timeless. With a Design-Line garage door, you make an architectural statement and add a special touch to your home.

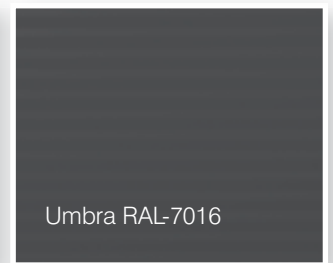
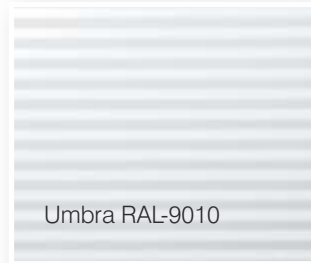
Design-Line Umbra

The pronounced pattern of lines and embossment (microprofiling) of the Design-Line Umbra gives your garage door a striking appearance. The Umbra is available as standard in four colours: RAL-9006, RAL-9007, RAL-9010 (white) and RAL-7016.



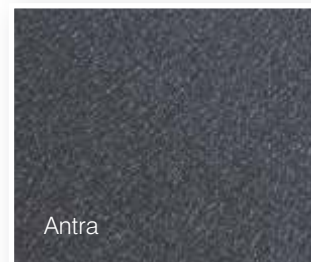
Design-Line Antra

The Design-Line Antra is finished in an attractive anthracite colour and has an extraordinary texture. It gives the garage door a modern appearance, in perfect keeping with the latest trends and architectural styles.



Design-Line Nature

If you are looking for a tranquil, natural appearance for your garage, then the Nature design offers an alternative to the Wood-Line. The extraordinary silver-coloured surface texture of this design has an irregular pattern division that ensures a fresh and surprisingly natural appearance.





GLAZED ALUMINIUM

Glazed Aluminium

The Glazed Aluminium garage door is a reliable and durable aluminium door, with a wide range of options. The Glazed Aluminium offers you the ultimate freedom to create your personal design.

The garage door is constructed from a maintenance-free aluminium frame, which you can fill with a variety of panels and/or glazing of your own choice.

This can give your garage door a surprisingly different appearance.

Unlimited possibilities

The aluminium frame of the Top-Line garage door can be filled with a wide variety of panels. By combining transparent and blank panels, you can create a completely personal style. Both the section height and width can be chosen to optimally match your garage, resulting in everything blending extremely well together.

Moreover, the range of colours that is available for the frame and panels is almost unlimited and can be separately selected.

The Top-Line series offers you the optimum creative freedom. Together, we can design a quality door that, in its appearance, colour and field division is in total harmony with your home. We have the knowledge, skills and production facilities to meet more complex

Seals		
	Air (EN 12426) W	Water (12425)
Glazed Series	Class 3	Class 3
Wind load (tested in accordance with EN 12424)		
	Up to 2500mm W	Up to 5000mm W
Glazed Series	Class 5	Class 5
U-value		
Glazed Series	2,7	

individual requirements. Top-Line can also be used as glazed sections in both the High-Line and the Wood-Line series. Using these panels, you not only enhance the appearance of your door, but you also allow additional light to enter your garage.



Options and Accessories

Our garage doors can be fitted with the options or accessories shown below.

Of course, all of the options and accessories we offer have been extensively tested for functionality and durability.

Simple operation

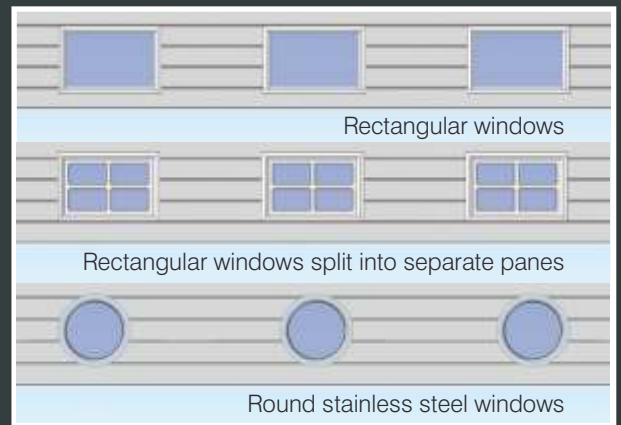
The garage door can be operated manually or by means of an electric operator. We will be pleased to advise you.

Colour options

As standard, all our doors are supplied with a durable white top coat. If you would prefer another colour, that's not a problem. The range of colours is almost unlimited. We would be pleased to inform you about the extensive range of colours on offer.



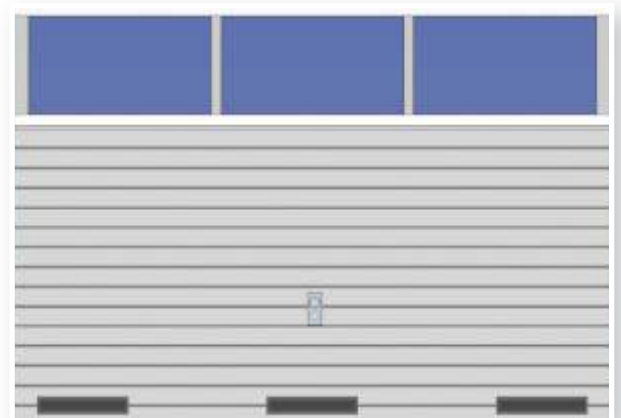
VARIOUS TYPES OF WINDOWS



PASS DOOR WITH LOWERED THRESHOLD.



Glazed sections can be used in nearly all doors. Door including three ventilation grills.

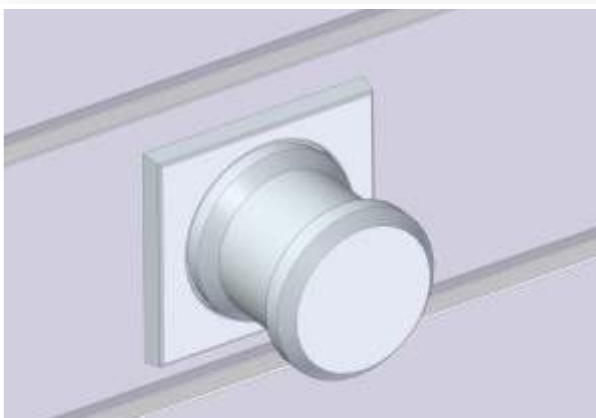


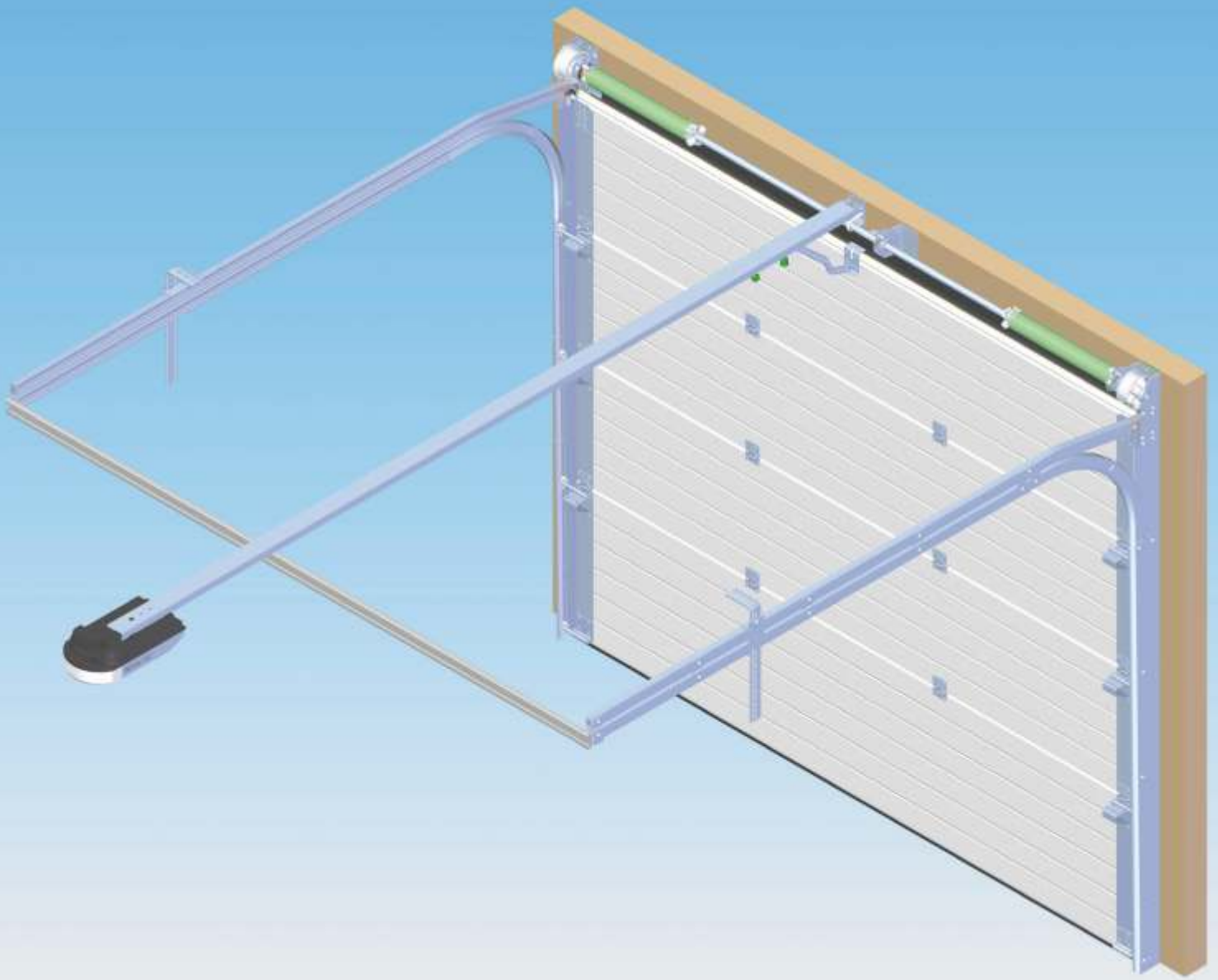
Colour-Line Stucco

40mm steel sandwich panels available in Stucco with horizontal lining and available in twenty standard colours.

1021	3000	5010	6009	7016
8014	9002	9006	9007	9010
1015	3003	3004	5003	6005
7021	7022	7035	9001	9005

DE-LUXE HANDLE IN BLACK OR METALLIC





Guide-rail systems, the silent strength

A guide-rail system is used for opening and closing your garage door. Just like your garage door, this system is always made to measure.

The quality and stability of the rail set determines, to a large degree, the life of your overhead door. Therefore, we have consciously chosen to use innovatively constructed rails.

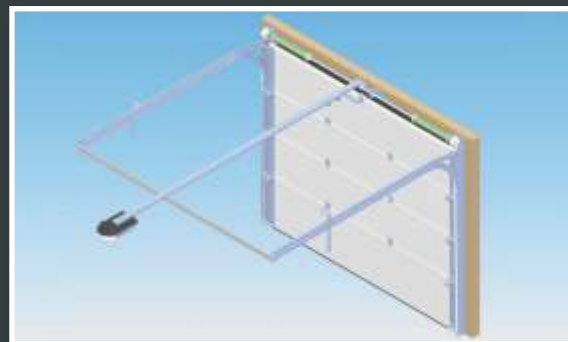
The rail sets are manufactured from high-quality galvanised steel.

Options and Accessories

In order to offer a quality system for every installation situation, we use a universal guide rail system (G200) and two guide rail systems for special situations.

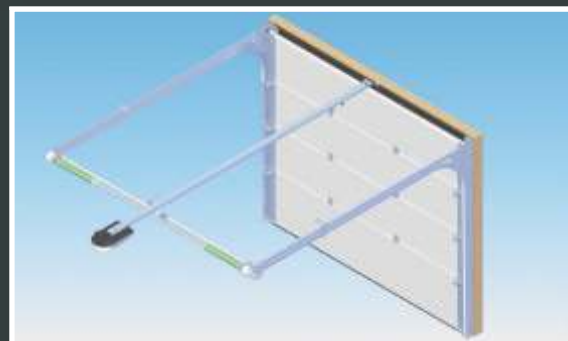
Universal guide-rail system (G200)

All of our guide-rail systems and garage doors are constructed in such a way that the door rolls up and down vertically. The door does not protrude forward, in contrast to a solid tilting door. As a result, you can always use the space in front of and behind the garage door optimally. For the G200, we require a top clearance of 200mm above the door opening. All of our guide rail systems use galvanised torsion springs, which for the G200 are located directly above the door.



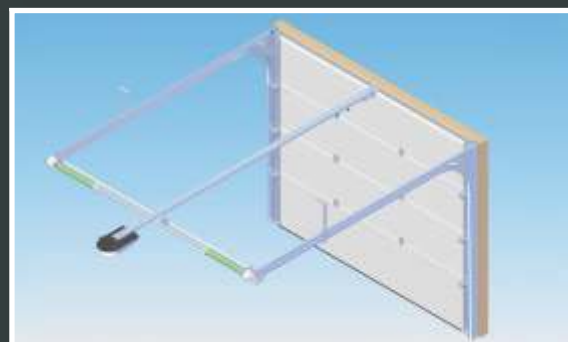
For minimum clearance height (G100)

Is the clearance limited for the installation of your new garage door? This does not need to be a problem. The G100 guide rail system only requires a top clearance of 100mm, above the door opening. The torsion springs of the G100 are located at the end of the horizontal rails. Similar to the G200 and the R60, the guide rail system has a very stable design, enabling us to guarantee a long life.



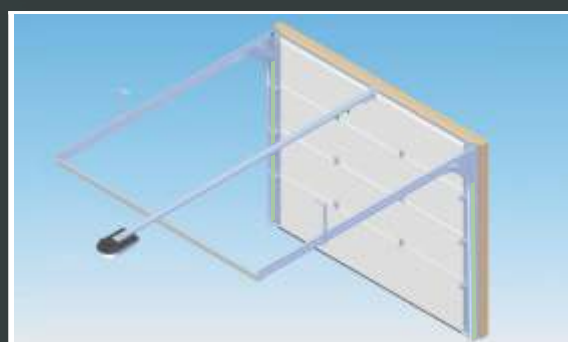
Replacing old tilting doors (R60)

The R60 guide rail system is pre-eminently suitable for replacing an old uninsulated tilting garage door. The system is designed in such a way that no structural changes are required to install the new garage door. The R60 only requires 60mm of top clearance. The R60 is only supplied complete with a electric operator.



Side Sprung

This is for single doors which are up to 3 metres wide.



Smart Technology

To allow your garage door to run even smoother and quieter through the guide rail system we have made several innovations. The 30mm wide rubbers provide a perfect seal.

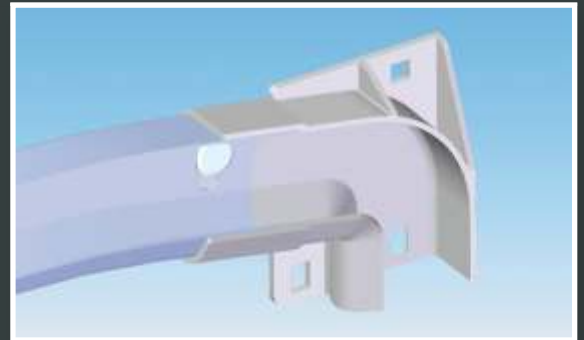
Smart-Connection®

A good example of this smart technology is our patented Smart-Connection®. The Smart-Connection® forms the transition between the horizontal and the vertical rails. This innovative solution makes the door almost silent and less susceptible to wear.



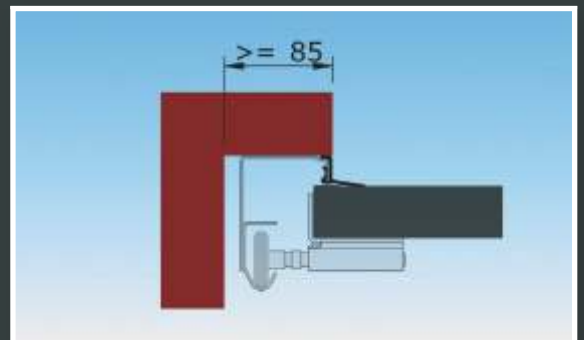
Aluminium curve

We use an aluminium curve as standard in the guide-rail system. This high-quality material gives the curve a perfect fit and prevents premature wear. This is the best quality solution.



Reliable seal

The garage door must keep out wind and water. Therefore, our doors are fitted with a 30mm wide flexible EPDM rubber seal. The width and flexibility of the seal guarantees a reliable closure and perfectly protects your garage from draught and moisture under varying weather conditions.



Galvanised torsion springs

The torsion springs are a very important part of your garage door. Therefore, we always use at least two and sometimes even four springs for large doors. Torsion springs balance your garage door and are therefore indispensable. We only use galvanised torsion springs to ensure that corrosion does not stand a chance.



Every garage door that leaves our factory is built to order.

The production processes are fully automated, whilst retaining flexibility.

Accurately programmed machines guarantee exact dimensioning and check the processes to the millimetre.

We only use high-quality materials in our production process.

Quality and custom-made solutions
are our standard.

AUTHORISED DEALER

Birkdale Manufacturing Group Ltd, Unit 5, Eastgate Park, Arkwright Way, Queensway Industrial Estate, Scunthorpe, North Lincolnshire
DN16 1AE Website: www.birkdale.co.uk email: sales@birkdale.co.uk Tel: 01724 282171 Fax: 01724 282170

Colours are a representation only. Please ask to see our actual samples. Our doors are virtually maintenance free. However, to maintain the CE certification an annual low cost service is needed. WE RESERVE THE RIGHT TO MAKE CHANGES TO OUR PRODUCTS WITHOUT NOTIFICATION.